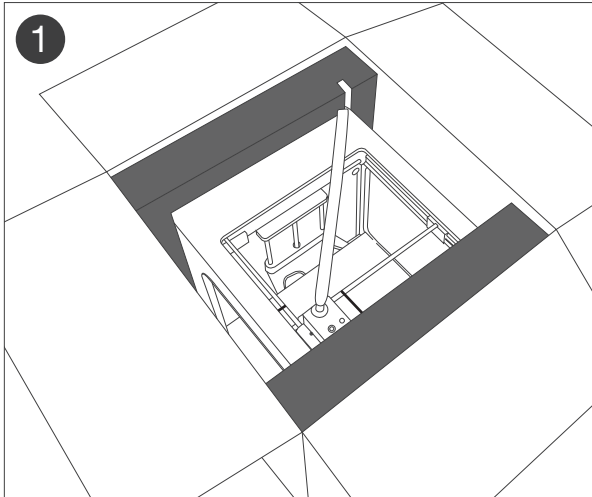


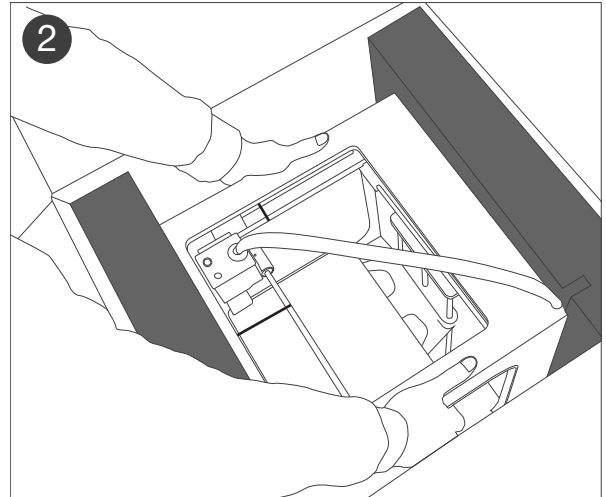
DITTO PRO 3D PRINTER

Quick Start Guide

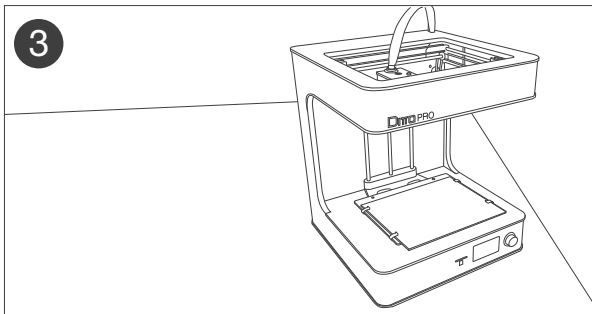
UNBOXING



1 Place the container on a flat surface and peel back the flaps to reveal the printer.

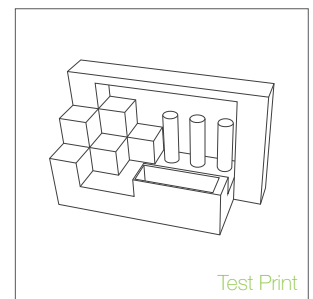
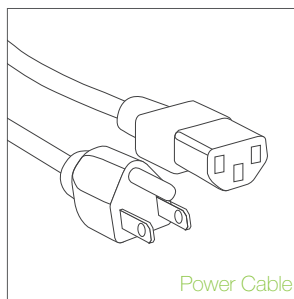
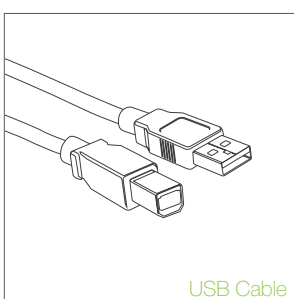
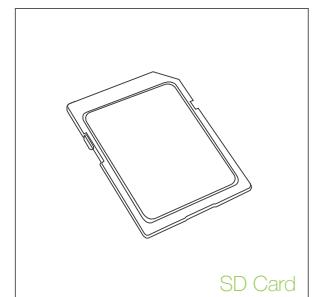
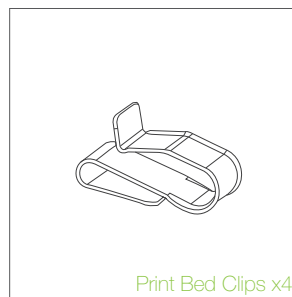
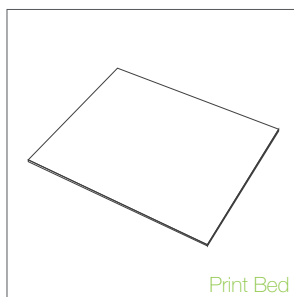
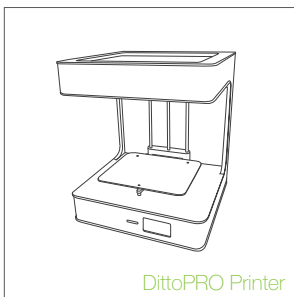


2 Grab the two sides of the printer as shown and slowly lift the printer out of the box.

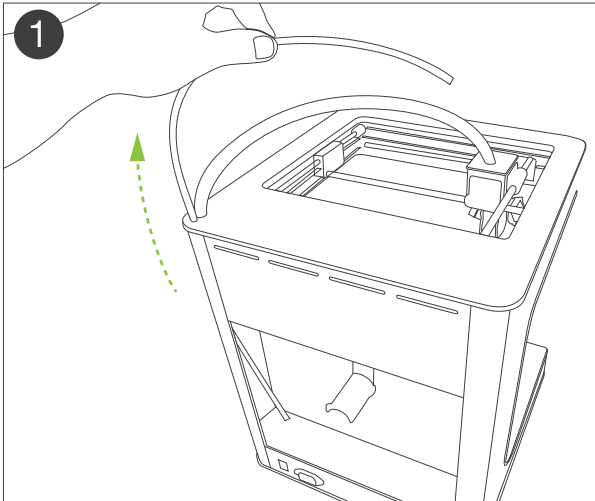


3 Set the printer down on a flat surface. Use a scissor to cut away the two zip ties that secure the print head. Take extra care to not cut the printer belts.

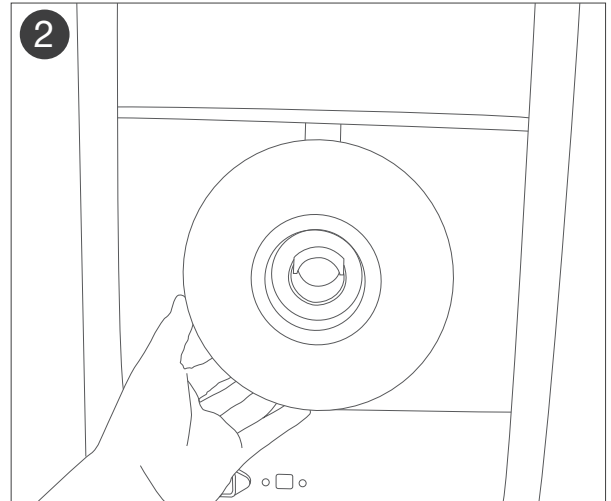
WHAT'S INSIDE



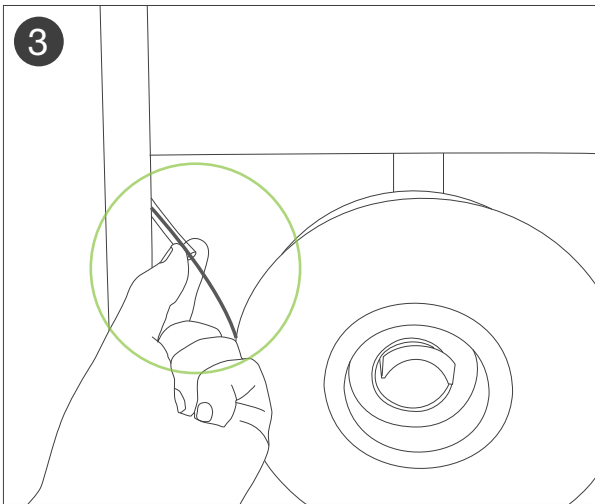
INSERTING THE FILAMENT



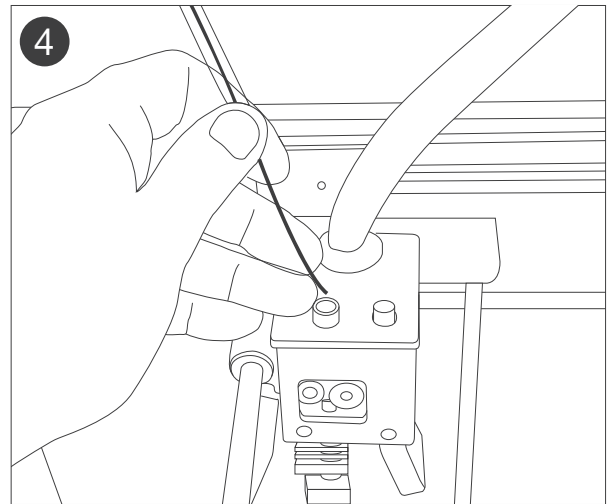
1 Extend the filament guide tube from the back of the printer.



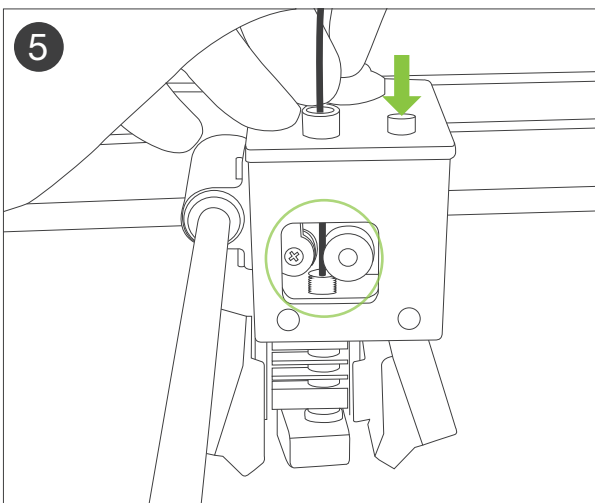
2 Remove the filament spool from the packaging and place it on the spool holder.



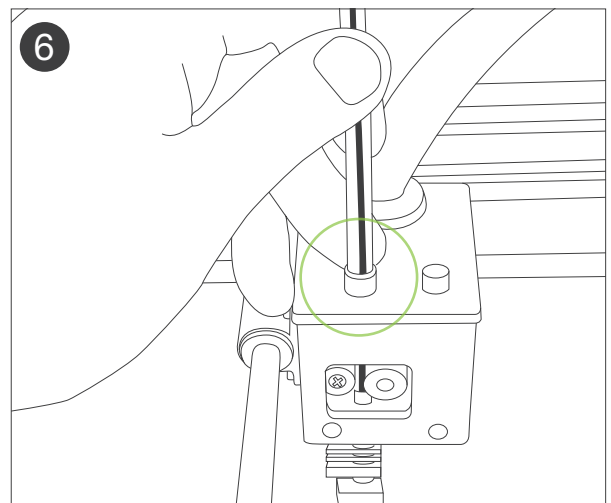
3 Remove the end of the filament from the spool and insert it into the guide tube.



4 Thread the filament through the tube until it comes out of the other end.

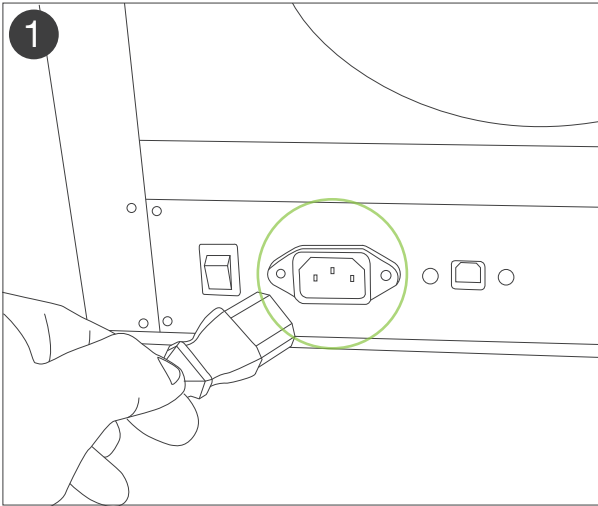


5 Insert the filament into the extruder. Push the tensioner button to open up a gap.

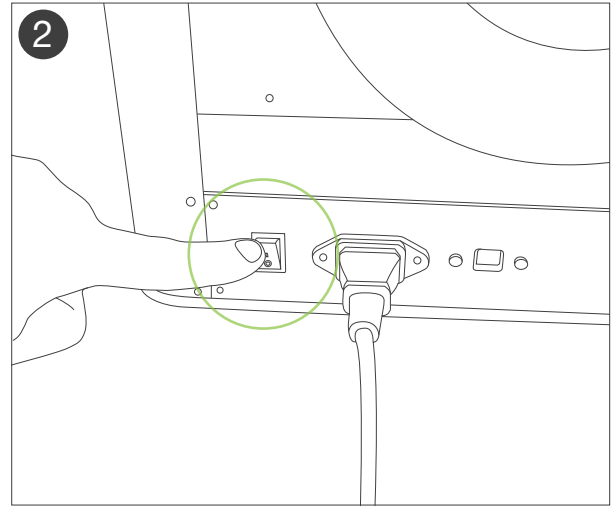


6 Once the filament is within the hotend, insert the guide tube into the top of the cover.

POWERING THE PRINTER

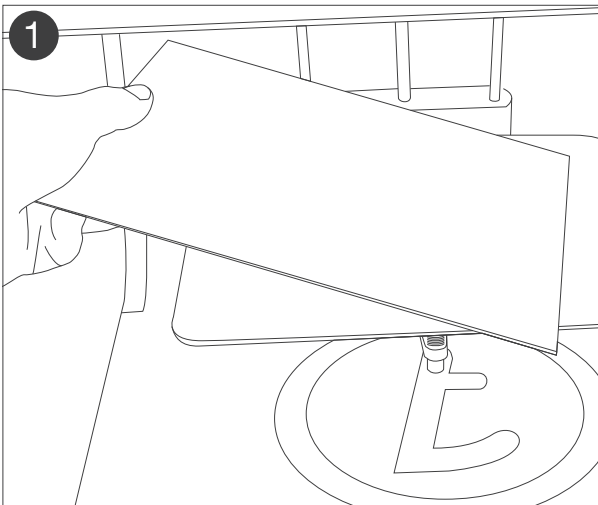


1 Insert the power cable into the power socket and wall socket.

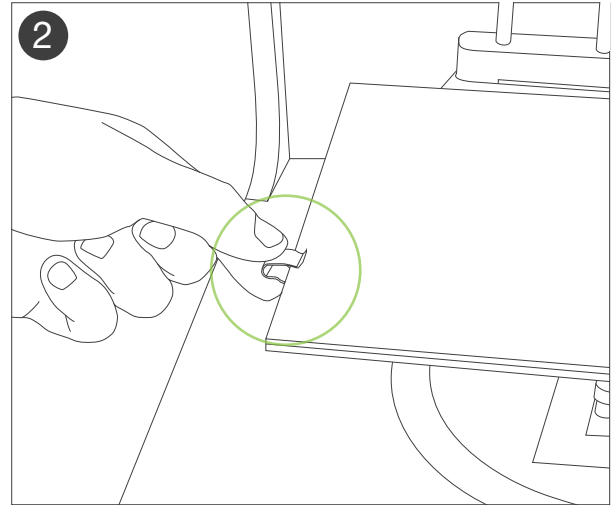


2 Turn on the printer by flipping the power switch to the On position (I).

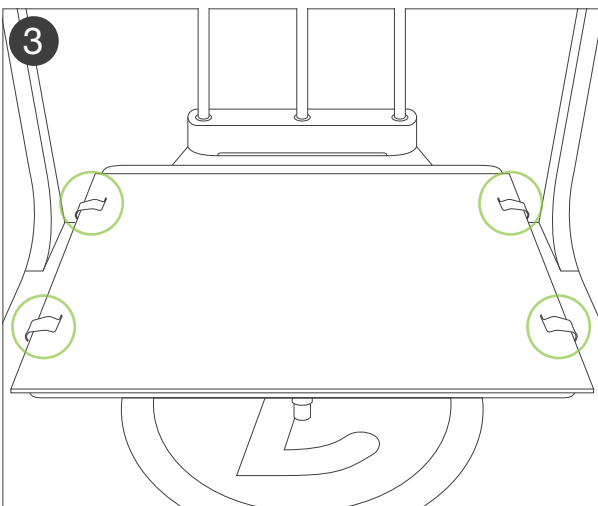
INSTALLING THE PRINT BED



1 Place the glass print surface onto the bed, face the adhesion layer side up (BLUE).

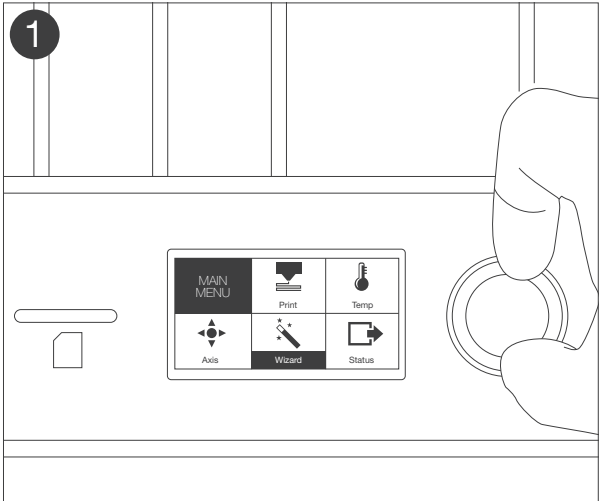


2 With the clips provided, slide it on to pinch the bed platform and glass surface together.

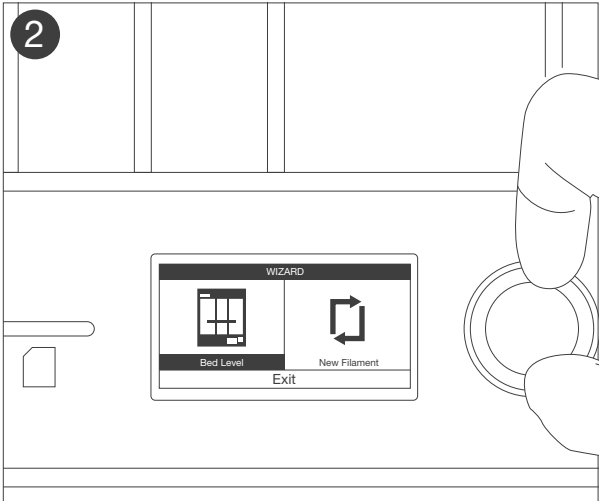


3 Repeat until all four clips are secured onto the bed as shown.

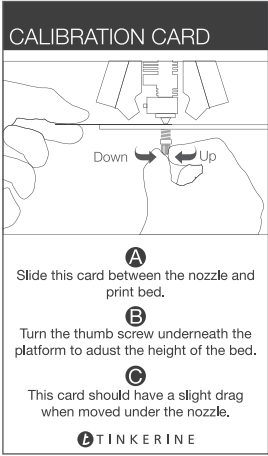
LEVELING THE PRINT PLATFORM



From the main LCD menu, push the knob to select the Wizard option.

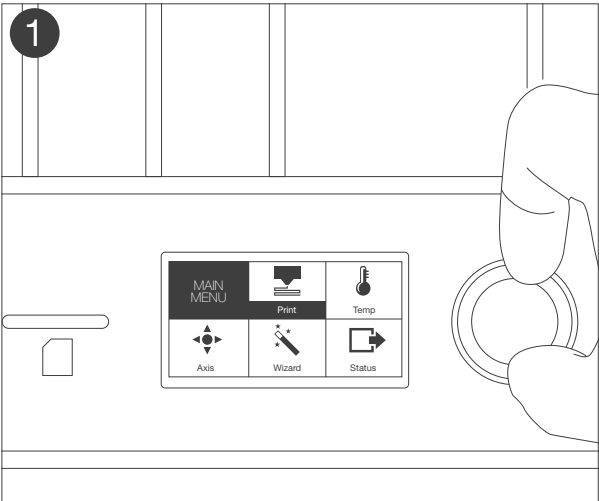


Select the Bed Level option and follow the on-screen instructions.

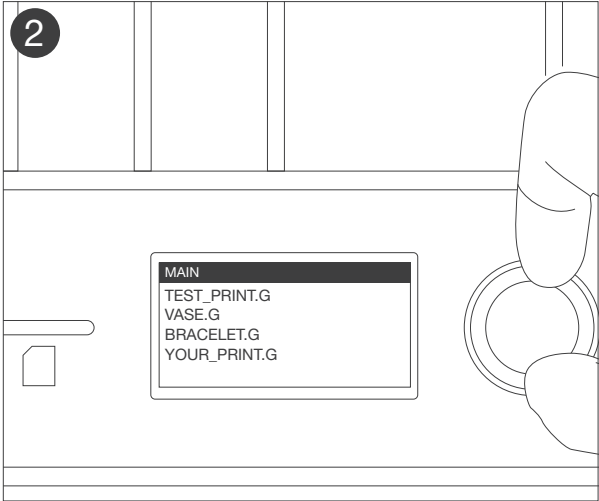


Use the provided Calibration Card to assist you during the bed leveling process.

STARTING A PRINT



From the LCD main menu, push the knob to select the Print option.



Scroll down to the desired file and press again to start the print.